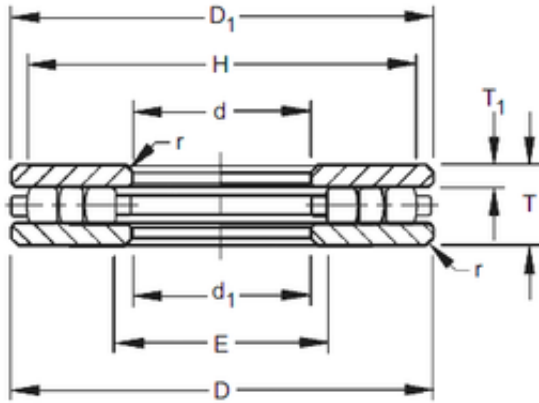




220TP176 Timken Tapered Roller Bearings



Bearing No. 220TP176

Size	558.8x863.6x152.4 mm
Bore Diameter	558,8 mm
Outer Diameter	863,6 mm
Width	152,4 mm
d	558,8 mm
D	863,6 mm
T	152,4 mm
r max	6,4 mm
T1	42,07 mm
d1	562 mm
D1	860,4 mm
E	584,2 mm
H	838,2 mm

220TP176 Bearing 2D drawings and 3D CAD models