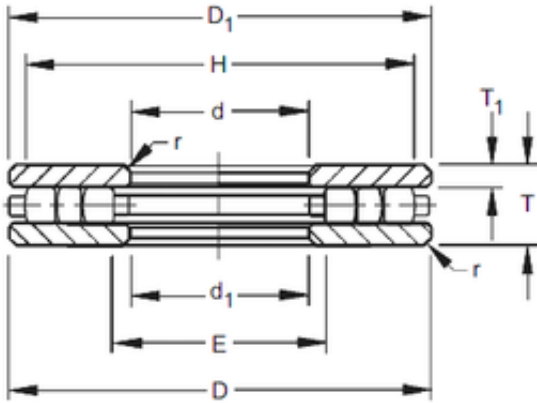




20TP104 Timken Tapered Roller Bearings

Bearing No. 20TP104



Size	50.8x177.8x34.925 mm
Bore Diameter	50,8 mm
Outer Diameter	177,8 mm
Width	34,925 mm
d	50,8 mm
D	177,8 mm
T	34,925 mm
r max	1,6 mm
T1	9,52 mm
d1	52,39 mm
D1	176,21 mm
E	65,1 mm
H	163,5 mm

20TP104 Bearing 2D drawings and 3D CAD models